



WG型刮泥机

WG-type mud scraper

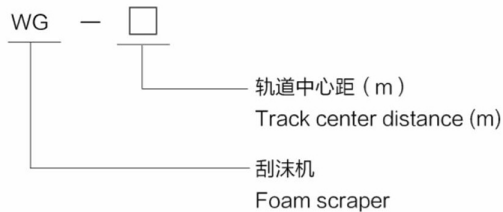
用途

WG型系列刮沫机用于各种矩形气浮池的刮沫和撇渣。分成链板式（适用于池宽小于5米）和行车式（适用于池宽大于4米）两类。

Use

WG series foam scraper is used for the foam scraping and scum skimming of various rectangular air flotation pools. It is classified into chain-plank type (applicable for pool width less than 5m) and traveling type (applicable for pool width more than 4m).

型号意义 Meaning of the model



特点

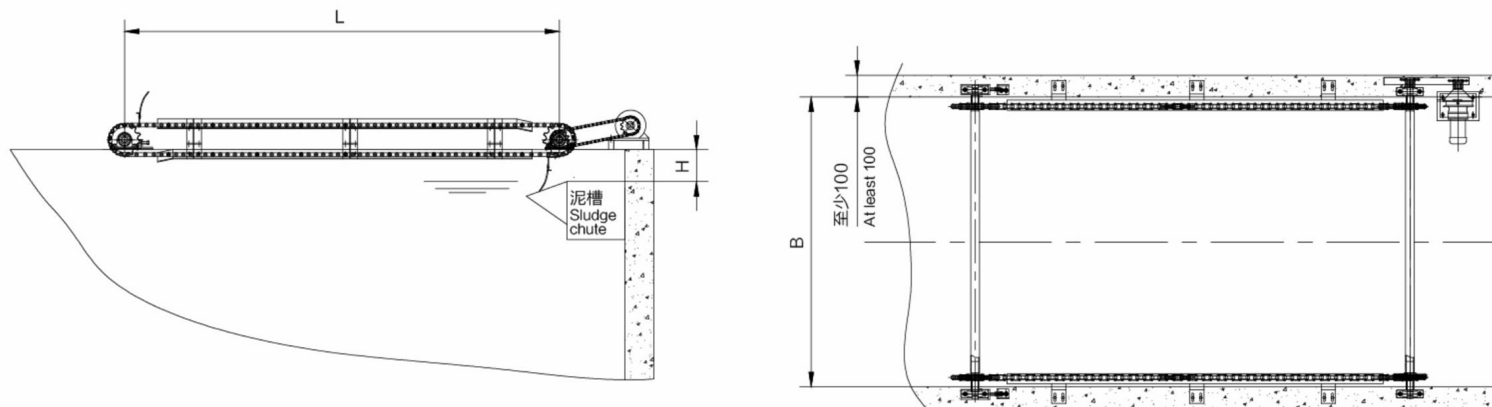
链板式刮沫机主要由减速机,传动装置,刮板,主从动轴,链条及链条托架组成。结构简单,使用方便,性能稳定。减速机可调速或定速。

行车式刮沫机主要由行车梁、撇渣装置、驱动装置、电气控制装置、导轨及撞块等几个部分组成。本机工作时将液面所有浮渣由池子的一端刮到池子的另一端,行车通过行程开关自动换向运行;但在行车换向、依靠池壁的导程板,是装有导轮的刮板抬起,行车开始空载运行。当返回到终点时,又依靠碰撞挡块,是刮板落下,行车又继续进行刮沫和撇渣。

Characteristics

Chain-plank foam scraper is mainly composed of speed reducer, driving unit, scraping plate, active and passive shafts, chain and chain support. Simple structure, convenient use, and stable performance. Speed reducer can regulate or fix the speed.

The traveling foam scraper is mainly composed of traveling beam, scum skimming unit, driving unit, electric control unit, guide rail and collision block. When the scraper is working, all scum on the surface will be scraped from one end of the pool to the other end, and the direction of the traveling vehicle will be changed by the travel switch; but during the direction changing and the guiding plate on the wall of the pool, it is lifted by the scraping plate with the guide rail, and the traveling vehicle is in idle run. When returning to the end point, it depends on the collision block, and makes the scraping plate fall off, and the traveling vehicle continues foam scraping and scum skimming.



WG型浮泥刮渣机
WG-type mud scraper

型号规格及相关技术参数 Model specifications and related technical parameters

型号 Model	功率(KW) Power	规格尺寸 Dimension (m)		
	刮渣机 Slag scraper	池宽B Pool width	L	H
WG-0.8	0.25	0.8	2.0	0.15
WG-1.0	0.37	1	4	0.2
WG-1.5	0.55	1.5	4	0.2
WG-2.0	0.75	2	4	0.2
WG-3.0	0.75	3	4	0.2
WG-4.0	1.1	4	4.5	0.4
WG-5.0	1.5	5	5	0.4